

Product description

zinc alloy material construction silver colour or golden single latch system fingerprint to open,you dont need to take a key with youself RFID card to open with keys for emergency

[Low price Fingerprint lock china manufacturer](#)

technical data:Sensor resolution:500dpi

Sensor damage resistance ability:1000 times of impact with 4H pencil

Starting time: less than 1 second

Way of contrast: 1:N

False rejection rate: less than 1%

Error rate:less than 0.0001%

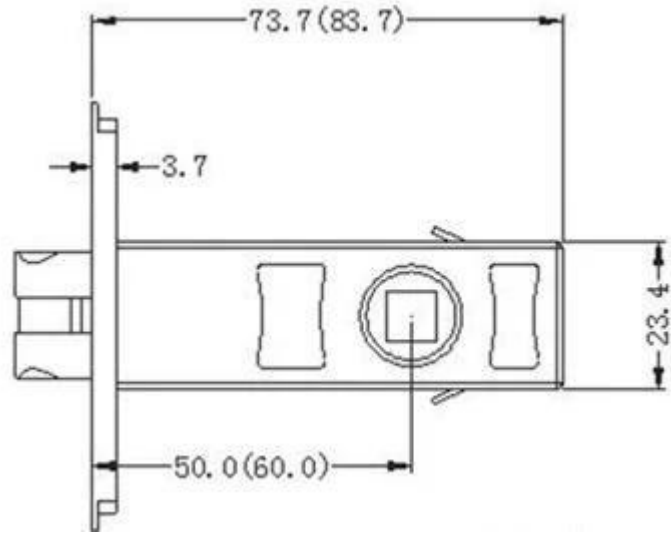
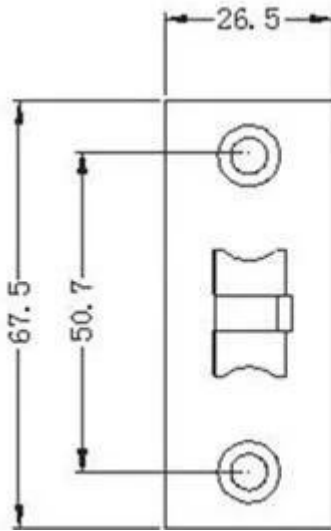
Finger point:360°

Fingerprint update mode:auto update

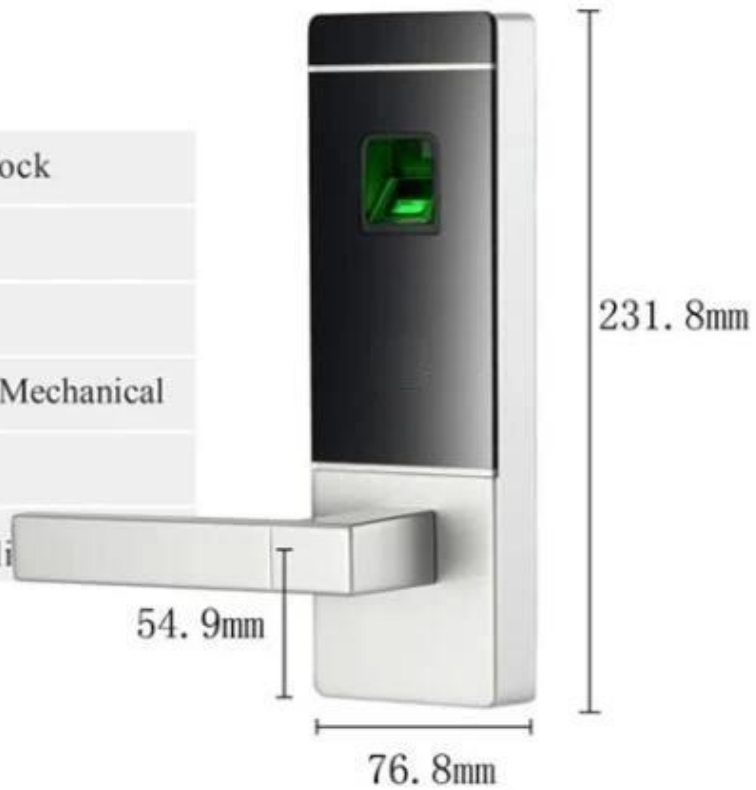
Fingerprint information: not lose when betteries run out or change.

[Fingerprint lock wholesales china](#)





Name :	Fingerprint door lock
Colour:	Gold 、 Silver
Material :	Zinc alloy
Unlock :	Fingerprint+Card+Mechanical key
Cylinder :	Zinc alloy
Battery :	4 pcs 1.5V LR6 ali



Card reader

US ATMEL Temic sensor cards, unlocking with non-contact sensor coded card.



Handle design

Ergonomic design, free-style handel, effectively protect the mechanical parts

Hidden keyhole

The lock is hidden at the bottom, safe and beautiful



Fingerprint

100 fingerprint capacity

High-tech fingerprint recognition technology can easily identify elderly and children fingerprints

Battery life

opening door for 11000
times unlocking with 4
pcs 1.5V LR6 alkaline
batteries



Lock knob

With 2# short lock body,
locked in the room inside,
can not be opened outside

When the master card is lost,
you can reset the card by initializing.



Our Team

Factory & Workshop

More than 13 years
Digital lock since 2003,
Over 10% of the Chinese market is
taken by our factory



Our main independent research and development products are advanced fingerprint lock, combination lock, security door lock, hotel door lock system, sauna locker smart lock, hotel safe, Keypad Lock, e-Cabinet Lock which are widely used in hotel access control system, massage center, office building, apartment, villa etc. As a professional Smart lock manufacturer, we have already passed and executed ISO9001: 2000. And also our product has got CE, FCC, ROHS, and

some Chinese quality certificate etc.

Certifications



As one of a leading manufacturers for lock and safe, we have been in this line for more than fifteen years. Our typical models are hotel lock, password lock, fingerprint locks, energy saver, card reader, room number display, hotel safe, home safe, gun cabinet, floor safe, car safe, cash drawer, commercial safe, file safe, fireproof safes, ATM safes etc. OEM is welcome at any time.