

biometric fingerprint digital keypad handgun safe China supplier

We are a professional safe and lock factory in China which is located in the East of it. Our factory was founded in 2004 as a workshop for safe and lock parts. Currently we have developed to a company intergrate developing, design, technical, quality, production, sales..different departments. Our product range includes hotel safe, home office safe, gun safe, commercial safe, key cabinet, drawer file and fireproof series, plus hotel lock, home office locks etc. All of our products are sold to overseas markets.

Safe technical:

safe material: high quality steel  
powder coated for surface treatment  
safe size: 94X338X275MM  
power supply: 4pcs AA battery  
unlocking method: fingerprint, password, emergency keys  
lower battery indicator  
suitable to deposit 2 or 3 handguns  
application: home, office, commerce  
It can be easily mounted on the wall

wholesale biometric fingerprint digital password handgun handgun safes China

Why Choose Us?

(1). We have an ISO 1182 fire protection certificate, and we have also tested a product fire test in the factory, and the product quality is very good, which is why our customers choose us.

(2). If you need the safe box, we can provide safe's photos for you use. We build your brand, not our own!

(3). LOYAL fireproof safe protect your most important documents and valuables for up to two hours at 1700°F (927°C).

Q: Are you a factory or just a trade company?

A: We are a professional factory

Q: Can you customize safe?

A: Yes we can

Q: Can we order samples and are they free?

A: Yes you can and need to pay for sample cost. Sample cost can be returned to you when you place formal order.

Q: Can we put our logo on the safes?

A: Yes you can.

Q: Can we choose other colours?

A: Yes you can and let us know your colour sample or colour number.

Q: What is the moq of order?

A: 20 pieces for a model. Some models the moq is 1 piece.

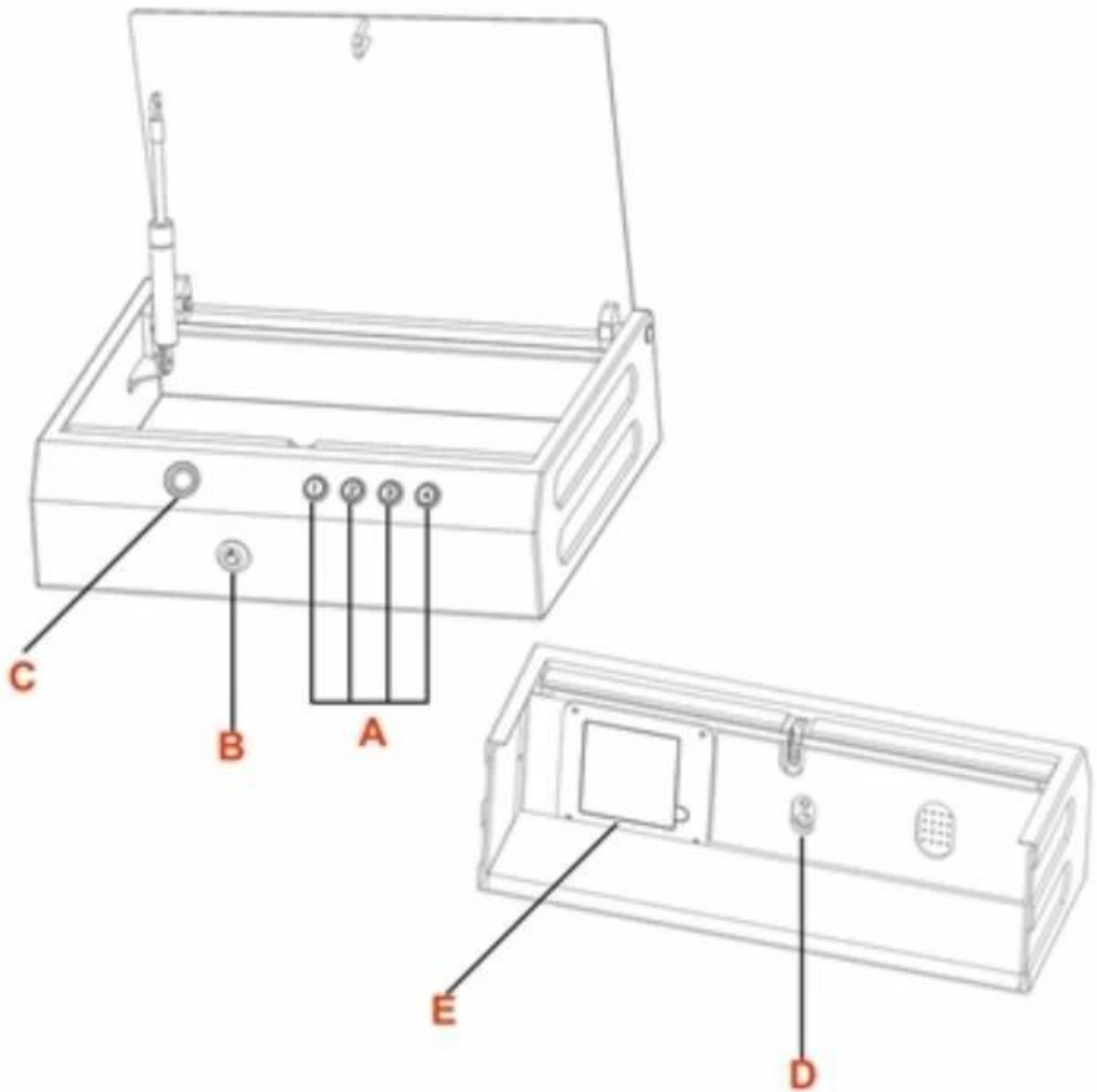
Q: Can you customize the safe?

A: Yes we can make it.

Q:Can we mix up different models for a full container?

A:Yes

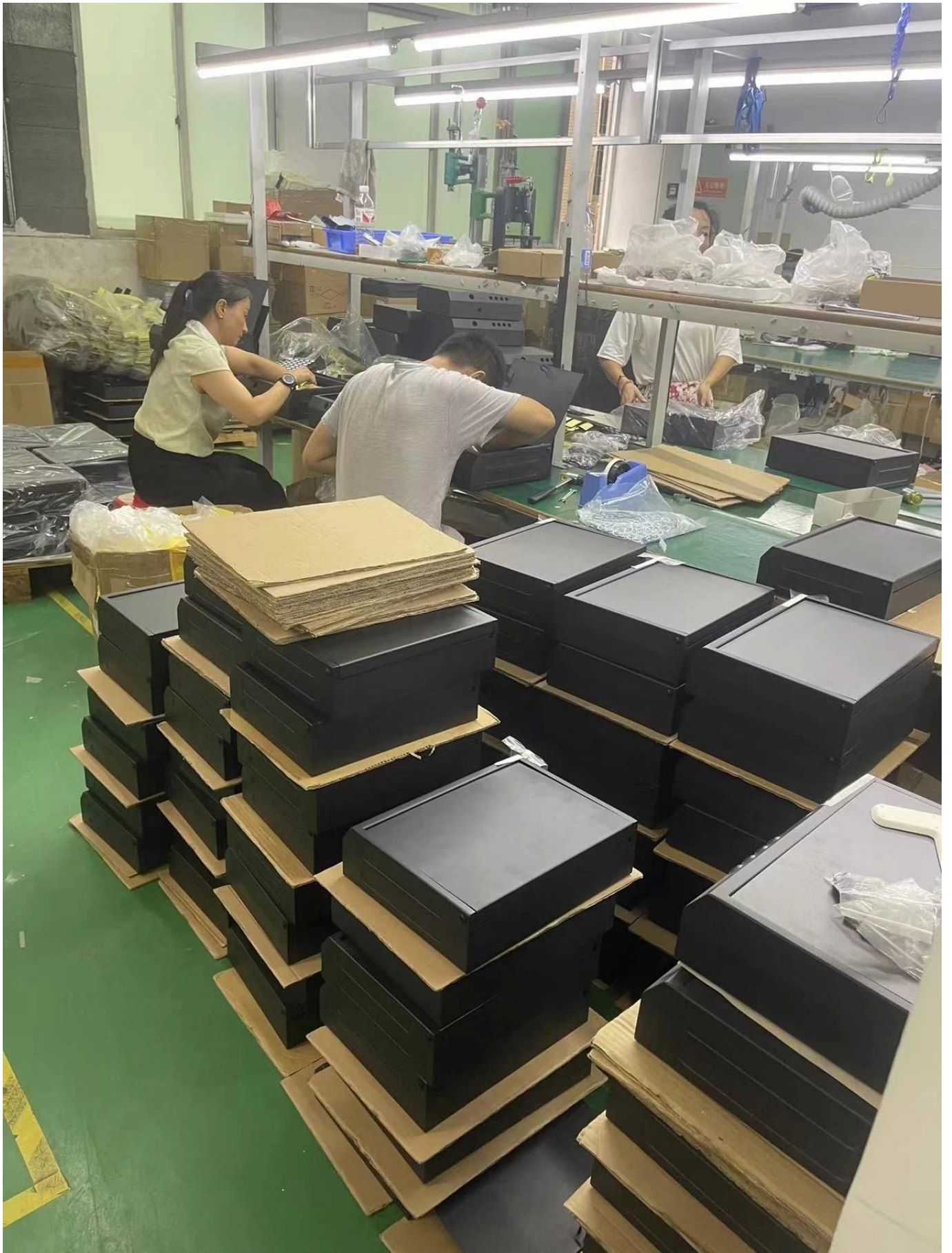
# OVERVIEW



# CAPACITY OF EACH MODEL



[shop194k52297x681.1688.com](http://shop194k52297x681.1688.com)







## How to Setting Password (6 digit PIN code ):

(Without Voice Reminder)



1. Use the enclosed Key to Open the safe box

( Note: Keep the key outside the safe box )



2. Load the 4 AA batteries(not included) into the safe box ,long press the setting button you will hear pls set up six digital password then long press the 3 button will hear the voice reminder: turn off the voice .



3. Then enter 6 digit password,after 3 seconds then repeat input 6 digit password ,if the both input digit password it's same.we can see the green light it's showed .



4.If not same then it will show the red light shining ,this it's means the setting it's unsuccessful ,all the process needs to come back to step 3 to reset again .

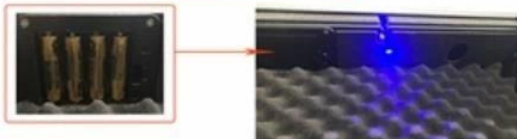
Please note :  
If you need to setup a new password , please long press <<setting button>> for 5 seconds , then repeat above same steps to setting .

## How to Setting Password (6 digit PIN code ):

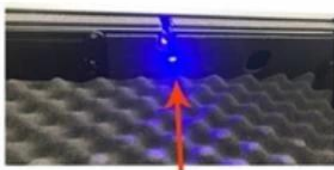


1. Use the enclosed Key to Open the safe box

( Note: Keep the key outside the safe box )



2. Load the 4 AA 1.5V batteries ( Not included ) into the safe box , we can hear the 1st voice prompt: please Long press <<Setting Button>>, please set up Six digit password



3. Long press the <<Setting Button >> for 5 seconds please we can hear the 2nd voice prompt " please setup Six digit password "



4. Enter a 6 digit password, then we can hear the 3rd voice prompt "please repeat input six digit password



5. Re-enter a same 6 digit password

6-1) if the both input digit password is same, we can hear "Successful setting"

6-2) if the both input passwords is NOT same later, we can hear "Unsuccessful setting"

( if now we hear Unsuccessful setting, All process need to come back to step 3 )

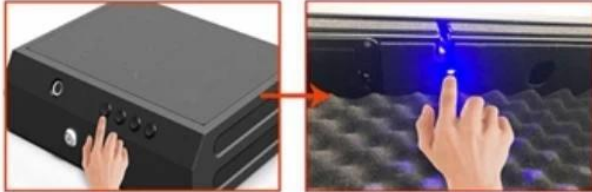
Please note :  
If you need to setup a new password , please long press <<setting button>> for 5 seconds , then repeat above same steps to setting .

## How to Setting Fingerprint:

1) Six digit code MUST be setup FIRSTLY and ensure it's successful setting



2) Place fingertip on biometric reader we can hear a voice prompt: please setup fingerprint ,please short press digit "1" button, then long press Setting button



3) Short press digit "1" button, then follow by long press Setting button until hear a voice prompt " please setup fingerprint" to release button



4) Place fingertip on reader (First Time), until hear a voice prompt "please input fingerprint again" to release



5) Again place the fingertip on reader , this same process must be repeat for 5 times normally until hear successful setting

6) We should hear a voice prompt "successful setting"

7) Close the lid and test fingerprint

### Please Note :

1.After first fingerprint, you will not get the initial voice prompt to setup fingerprint immediately after you put your finger on the reader. Because you already have a fingerprint in the system. So you have to short press digit "1" and then long press the setting button to engage the fingerprint setup moving forward.

2.If you need to remove the fingerprint, please long press <<setting button>> for 5 seconds, then priority setting password (6 digit PIN code ), later follow by setting fingerprint according to the steps of setting fingerprint.

3.If you need to add more one group of fingerprint ( at most add 20 groups of fingerprint): please short press <<digit 1 button>>, then long press <<setting button>> until hear the sound reminder : please setup fingerprint , to release button, then go into next few steps according to above step 4 until successful setting fingerprint



## How to Setting Fingerprint: (Without Voice Reminder)

1. Six digit code **MUST** be setup **FIRSTLY** and ensure it's successful setting



2. Place fingertip on biometric reader we can hear a voice prompt: please setup fingerprint ,please short press digit "1" button, then long press Setting button

- Take fingerprints
- Successful identification
- Unsuccessful identification



3. you will see the biometric reader show the blue light ,then place the fingertip on reader for 5 time use the same finger when you place the figertip on reader it will show blue light first and then show green light it means it's recognize ,if show red light means unrecognized.

4. Close the lid and test fingerprint

## Q&A:

**2. Can the safe box be opened by Random 6 digit passwords or fingerprint before setting?**

- Yes, Enter Random 6 digit passwords or fingerprint can open it.

**3. Why the safe box can NOT be opened by the fingerprint & 6 digit passwords after setting?**

1) It's possible your setting is NOT successful & must be setting again

2) If you make sure your setting is completely correct, pls try to open the safe box by the KEY

( If it's still failure to open by the key, It's most likely for the safe box comes with something wrong, pls reach us by e-mail in time)

**4. Why the safe box can NOT be opened by the fingerprint or 6 digit passwords after you donot use it for a long time later**

-1) It should be without an power for battery ,you need to open by the key and replace the battery in time

-2) If the safe box still can not be opened by the key, It's most likely for it comes with something wrong,pls reach us by e-mail in time

**5.How to mount the safe box ?**

Take out the screws and Anchors , install and place the safe box in to in which you want to mount.

**6.How to turn on/ turn off the alarm sound ?**

Please long press the Digit 4 button for 5 seconds, it can be switched between turn on and turn off the alarm sound (Note: Default for the alarm sound is opened ) . Also once the alarm is sound , we have to wait for 4 minutes later, it will automatically disappear .