

China keyless entry electronic IC MIFARE card hotel home security mortise door locks with key back up

As a professional manufacturer we make various series of RFID card door lock, fingerprint door lock, password door lock, qr code door locks, card safe, password safe, fireproof safe etc. for hotels, houses, banks, residents, apartments, schools, governments etc. All of our products are sold to more than twenty countries. Our main markets are middle east, America, Southeast Asia, some of European countries. Thanks to our good quality products with best service, we have already obtained good reputation from our partners. And our markets are increasing 15%-30% every year. You are welcome to visit us at any time.

Lock model: LY-HP02

Lock features and technical data

material: zinc alloy

Equip with strong five bolts mortise

lock size: 340\*80mm

available colour: silver, black, golden, grey

usage: hotel, motel, apartment, office

unlocking method: RFID card, mechanical keys.

certification: CE, ROHS, FCC

power supply: 4x AA alkaline battery

with lower battery alarm function

Batteries can run half to one year for normal use.

with two pieces mechanical keys for emergency.

FAQ:

1. Are you a factory or a trade company?

We are a manufacturer and also have its exporting company.

2. What is your MOQ

1 piece

3. Can we put our logo on the products?

Yes, just send us the design and artwork

4. Can we order a sample to test?

Yes

5. Can we mix up different models for a model?

Yes

6. Can we visit your factory?

Yes.

7. How long is your delivery time?

1 day to 20 days as per different models and quantity.

## LONG HISTORY

For 15 years, we have been focusing on making a better lock and safe. Makwell was founded in 2004 and works as a lock and safe manufacturer in China. Till now we have become one of the leading manufacturers at this field. We not only design pcb software but also the hardware parts .Our locks and safes are sold to more than thirty countries except the domestic agents. We have factories in Guangdong and Zhejiang.We are still growing as always.

## HIGH QUALITY

We implement a series of strict quality control systems from all aspects. First of all we adopt the good quality raw materials include metal, plastic and the other components. In each procedure of production we inspect every step to ensure each step is without defectives. Before pack the items we also test each piece the functions and the surface. All these work guarantee our products are nice and work well before send to customers.

## FAST DELIVERY

Faster delivery by air by express.(DHL,UPS or Fedex)

For small quantity order and samples,usually send by express. The most important thing we just need 1 to three working days to have them ready. It is high efficient. For a formal order the leading time is three working days to twenty days. Yes sure it is depends on the quantity and the model itself.Normally we have stock for popular models and its parts. This help us to deliver customers in a short time.

## SMALL ORDER ACCEPTABLE

Small order is accepted, we treat every order well.

We know different customers and markets they have different and actual models and quantity. Also we know the importance of each order for a customer,more quantity or less, even it is only one piece.

## WONDERFUL TEAM

Professional sales team to offer fast response and good service

We are very professional company in this industry although not the biggest one. We have our own teams specialized in this field. This guarantee our products designed and produced with nice appearance and good quality, also ensure our customers' questions or requests can be dealt with or solved in the shortest time.

## ACCEPTABLE

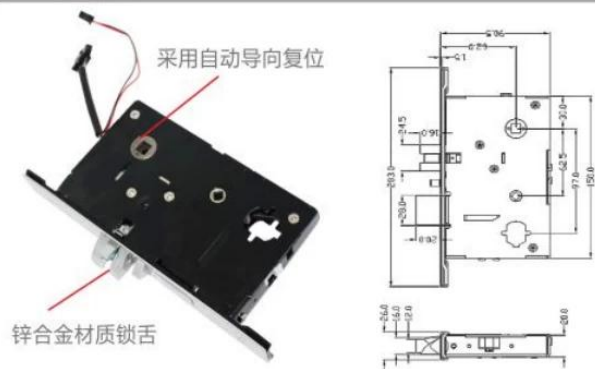
Our wholesales market covers both domestic and overseas. The locks and safes are widely used in different countries besides the domestic markets. More than thirty countries people are using our models. We are keeping designing and developing new ones to meet more demands from customers throughout the world.

## ABOUT PRODUCTS

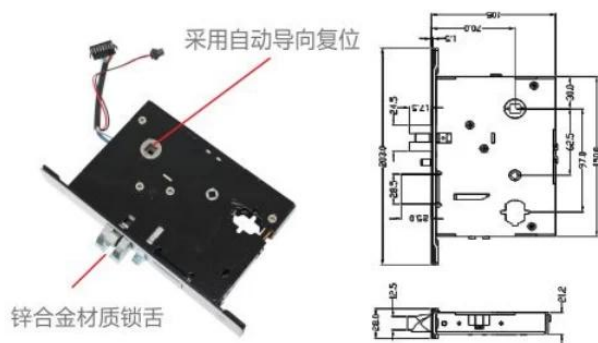
Full product lines for smart locks and electronic safety box, we supply various of hotel room products, such as hotel locks, hotel safes, energy saver, display, controller etc. and other fingerprint lock, face ID recognition lock, glass door lock, cabinet lock. They can be used in hotels,inns, motels,office buildings, home, sauna etc.



### ■ 2#短锁芯



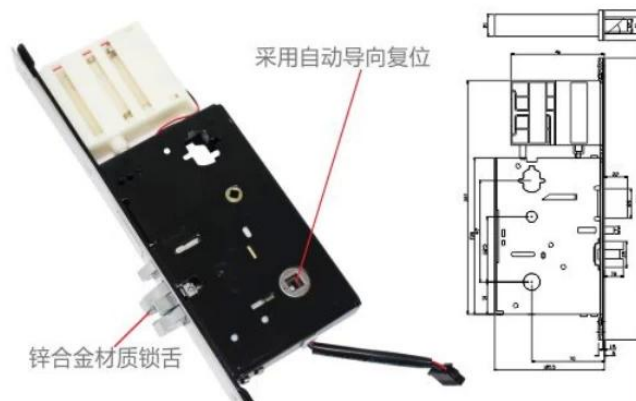
### ■ 1#短锁芯

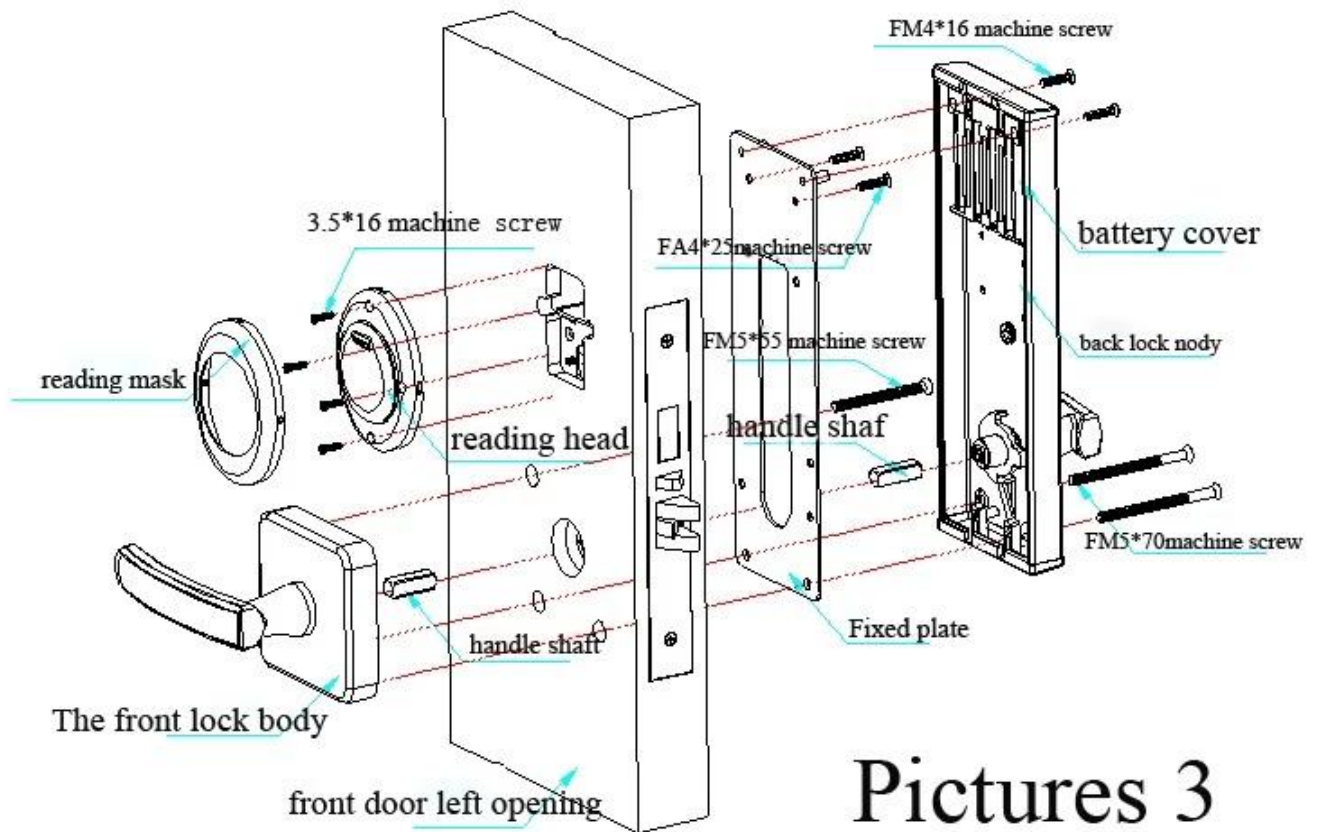


### ■ 2#长锁芯



### ■ 1#长锁芯





Pictures 3

## The direction of the door

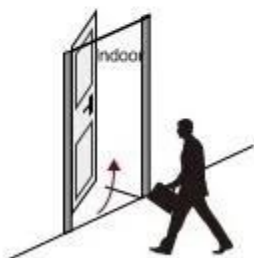
When you standing outside of the door

A.(Left push)

B.(Right push)

C.(Left pull)

D.(Right pull)



A  
Left Handle (push)



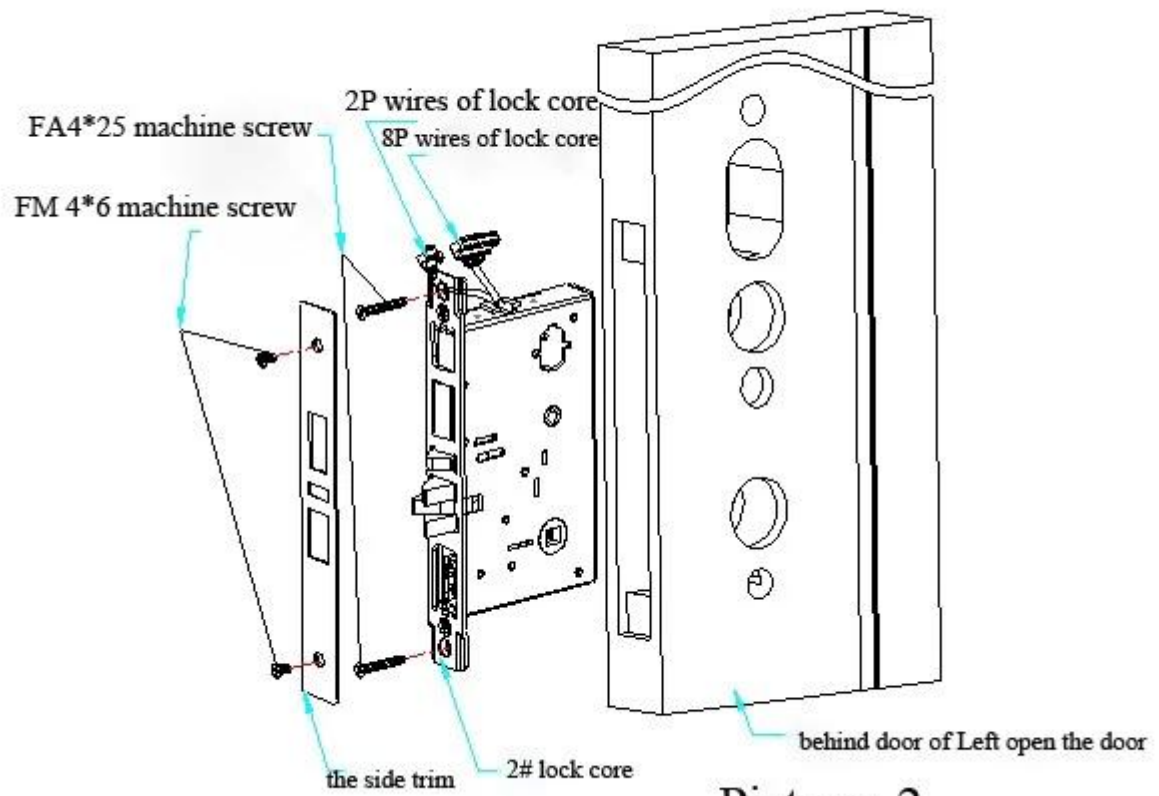
B  
Righ Handle (push)



C  
Left Handle (pull)



D  
Righ Handle (pull)



Pictures 2



»» 软件系统：

可运行windows3.1以上的操作系统



Reception	Create/Manage Guestrooms
Lock Setting	Staff's Key Card
System Management	Reports
Exit	

Building/Guestroom Information Settings

### Buildings List

Building No.	Building Name
1	Hotel A
3	3

Add Building  
 Delete Building  
 Modify Building  
 Add Guestroom  
 Delete Guestroom  
 Modify Guestroom

**X Exit**

### Guestrooms List---Hotel A

Floor No.	Guestroom No.	Type	Price	Hour Rate Start-up	Hour Rate Price	Status	Ma
1	102	Standard	100	24	20	Guest	2
1	103	Standard	100	24	20	Guest	2
1	101	VIP	123	30	50	Guest	2
2	202	VIP	123	30	50	Vacancy	2
2	203	Standard	100	24	20	Vacancy	4

Holiday Inn

**Holiday Inn**

**[F3] Guestroom No.** **Guest Card**

1-101

Standard

Vacancy

New Check-in

Hourly Use

Days: 1

Expiration Date: 2017/ 4/25 12:00  VIP

Cards Number: 0  N.O.

Guest Card

Guest Group

Reservation

Room Change

Extend

Check-Out by card

Card Info

Erase Card

**POCE** Shenzhen POCE Technology Co., Ltd.  
 11 Building, Zhongyuan Science and Technology Park,  
 Fuzhou Street, Shen'an District, Shenzhen, China

**Certificate of Conformity**

Reference No.: POC2024070103  
 Applicant: STERIS STERILIZATION CO., LTD.  
 Address: 8-8th, 10 Floor, Building 07, Shengda Plaza Power Intelligent  
 Industrial Park, Shenzhen Daily Industrial Zone No.26,  
 Longhua, Shenzhen, China  
 Manufacturer: STERIS STERILIZATION CO., LTD.  
 Address: 8-8th, 10 Floor, Building 07, Shengda Plaza Power Intelligent  
 Industrial Park, Shenzhen Daily Industrial Zone No.26,  
 Longhua, Shenzhen, China  
 Product: ST-4 Single-Use Food  
 Trade Name: N/A  
 Model No.: STS-176, STS-176, STS-176, STS-176, STS-176  
 Test Report No.: POC2024070103-04  
 Test Methods: EN 12170-1:2017  
 The CE mark certifies that the product has been tested by us with the CE mark standard and found to  
 conform with the current EMC Directive 2014/53/EU. It is possible to use CE marking  
 to demonstrate the compliance with the EMC Directive.

**CE**

Shenzhen POCE Technology Co., Ltd.  
 11 Building, Zhongyuan Science and Technology Park,  
 Fuzhou Street, Shen'an District, Shenzhen, China

**POCE** Shenzhen POCE Technology Co., Ltd.  
 11 Building, Zhongyuan Science and Technology Park,  
 Fuzhou Street, Shen'an District, Shenzhen, China

**Certificate of Conformity**

Reference No.: POC2024070103  
 Applicant: Shenzhen POCE Technology Co., Ltd.  
 Address: 11 Building, Zhongyuan Science and Technology Park,  
 Fuzhou Street, Shen'an District, Shenzhen, China  
 Manufacturer: Shenzhen POCE Technology Co., Ltd.  
 Address: 11 Building, Zhongyuan Science and Technology Park,  
 Fuzhou Street, Shen'an District, Shenzhen, China  
 Trade Name: N/A  
 Product: Wireless Scanner  
 Model No.: SCS-1000, SCS-1000, SCS-1000, SCS-1000, SCS-1000  
 Test Report No.: POC2024070103-04  
 Test Methods: EN 12170-1:2017  
 The CE mark certifies that the product has been tested by us with the CE mark standard and found to  
 conform with the current EMC Directive 2014/53/EU. It is possible to use CE marking  
 to demonstrate the compliance with the EMC Directive.

**CE**

Shenzhen POCE Technology Co., Ltd.  
 11 Building, Zhongyuan Science and Technology Park,  
 Fuzhou Street, Shen'an District, Shenzhen, China

**POCE** Shenzhen POCE Technology Co., Ltd.  
 11 Building, Zhongyuan Science and Technology Park,  
 Fuzhou Street, Shen'an District, Shenzhen, China

**Certificate of Conformity**

Reference No.: POC2024070103  
 Applicant: STERIS STERILIZATION CO., LTD.  
 Address: 8-8th, 10 Floor, Building 07, Shengda Plaza Power Intelligent  
 Industrial Park, Shenzhen Daily Industrial Zone No.26,  
 Longhua, Shenzhen, China  
 Manufacturer: STERIS STERILIZATION CO., LTD.  
 Address: 8-8th, 10 Floor, Building 07, Shengda Plaza Power Intelligent  
 Industrial Park, Shenzhen Daily Industrial Zone No.26,  
 Longhua, Shenzhen, China  
 Product: 1700 Series Single-Use Food  
 Trade Name: N/A  
 Model No.: STS-176, STS-176, STS-176, STS-176, STS-176  
 Test Report No.: POC2024070103-04  
 Test Methods: EN 12170-1:2017  
 The CE mark certifies that the product has been tested by us with the CE mark standard and found to  
 conform with the current EMC Directive 2014/53/EU. It is possible to use CE marking  
 to demonstrate the compliance with the EMC Directive.

**CE**

Shenzhen POCE Technology Co., Ltd.  
 11 Building, Zhongyuan Science and Technology Park,  
 Fuzhou Street, Shen'an District, Shenzhen, China

**高 标 注 册 证**

第 2167 号

国家知识产权局公告 (第 2167 号)

注册人: 刘俊臣

注册日期: 2024 年 07 月 01 日

有效期至: 2034 年 07 月 01 日

刘俊臣

刘俊臣

**POCE** Shenzhen POCE Technology Co., Ltd.  
 11 Building, Zhongyuan Science and Technology Park,  
 Fuzhou Street, Shen'an District, Shenzhen, China

**EC DECLARATION OF CONFORMITY**

Reference No.: POC2024070103  
 Applicant: SCIENCE DIGITAL TECHNOLOGY CO., LTD.  
 Address: 10-10th, 10 Floor, Building 07, Shengda Plaza Power Intelligent  
 Industrial Park, Shenzhen Daily Industrial Zone No.26,  
 Longhua, Shenzhen, China  
 Manufacturer: SCIENCE DIGITAL TECHNOLOGY CO., LTD.  
 Address: 10-10th, 10 Floor, Building 07, Shengda Plaza Power Intelligent  
 Industrial Park, Shenzhen Daily Industrial Zone No.26,  
 Longhua, Shenzhen, China  
 Product: N/A  
 Trade Name: N/A  
 Model No.: N/A  
 Test Report No.: POC2024070103-04  
 Test Methods: EN 12170-1:2017  
 The CE mark certifies that the product has been tested by us with the CE mark standard and found to  
 conform with the current EMC Directive 2014/53/EU. It is possible to use CE marking  
 to demonstrate the compliance with the EMC Directive.

**CE**

Shenzhen POCE Technology Co., Ltd.  
 11 Building, Zhongyuan Science and Technology Park,  
 Fuzhou Street, Shen'an District, Shenzhen, China

**POCE** Shenzhen POCE Technology Co., Ltd.  
 11 Building, Zhongyuan Science and Technology Park,  
 Fuzhou Street, Shen'an District, Shenzhen, China

**Certificate of Conformity**

Reference No.: POC2024070103  
 Applicant: STERIS STERILIZATION CO., LTD.  
 Address: 8-8th, 10 Floor, Building 07, Shengda Plaza Power Intelligent  
 Industrial Park, Shenzhen Daily Industrial Zone No.26,  
 Longhua, Shenzhen, China  
 Manufacturer: STERIS STERILIZATION CO., LTD.  
 Address: 8-8th, 10 Floor, Building 07, Shengda Plaza Power Intelligent  
 Industrial Park, Shenzhen Daily Industrial Zone No.26,  
 Longhua, Shenzhen, China  
 Product: 1700 Series Single-Use Food  
 Trade Name: N/A  
 Model No.: STS-176, STS-176, STS-176, STS-176, STS-176  
 Test Report No.: POC2024070103-04  
 Test Methods: EN 12170-1:2017  
 The CE mark certifies that the product has been tested by us with the CE mark standard and found to  
 conform with the current EMC Directive 2014/53/EU. It is possible to use CE marking  
 to demonstrate the compliance with the EMC Directive.

**CE**

Shenzhen POCE Technology Co., Ltd.  
 11 Building, Zhongyuan Science and Technology Park,  
 Fuzhou Street, Shen'an District, Shenzhen, China

**POCE** Shenzhen POCE Technology Co., Ltd.  
 11 Building, Zhongyuan Science and Technology Park,  
 Fuzhou Street, Shen'an District, Shenzhen, China

**Certificate of Conformity**

Reference No.: POC2024070103  
 Applicant: STERIS STERILIZATION CO., LTD.  
 Address: 8-8th, 10 Floor, Building 07, Shengda Plaza Power Intelligent  
 Industrial Park, Shenzhen Daily Industrial Zone No.26,  
 Longhua, Shenzhen, China  
 Manufacturer: STERIS STERILIZATION CO., LTD.  
 Address: 8-8th, 10 Floor, Building 07, Shengda Plaza Power Intelligent  
 Industrial Park, Shenzhen Daily Industrial Zone No.26,  
 Longhua, Shenzhen, China  
 Product: 1700 Series Single-Use Food  
 Trade Name: N/A  
 Model No.: STS-176, STS-176, STS-176, STS-176, STS-176  
 Test Report No.: POC2024070103-04  
 Test Methods: EN 12170-1:2017  
 The CE mark certifies that the product has been tested by us with the CE mark standard and found to  
 conform with the current EMC Directive 2014/53/EU. It is possible to use CE marking  
 to demonstrate the compliance with the EMC Directive.

**CE**

Shenzhen POCE Technology Co., Ltd.  
 11 Building, Zhongyuan Science and Technology Park,  
 Fuzhou Street, Shen'an District, Shenzhen, China

**CERTIFICATE OF CONFORMITY**

Reference No.: POC2024070103  
 Applicant: STERIS STERILIZATION CO., LTD.  
 Address: 8-8th, 10 Floor, Building 07, Shengda Plaza Power Intelligent  
 Industrial Park, Shenzhen Daily Industrial Zone No.26,  
 Longhua, Shenzhen, China  
 Manufacturer: STERIS STERILIZATION CO., LTD.  
 Address: 8-8th, 10 Floor, Building 07, Shengda Plaza Power Intelligent  
 Industrial Park, Shenzhen Daily Industrial Zone No.26,  
 Longhua, Shenzhen, China  
 Product: 1700 Series Single-Use Food  
 Trade Name: N/A  
 Model No.: STS-176, STS-176, STS-176, STS-176, STS-176  
 Test Report No.: POC2024070103-04  
 Test Methods: EN 12170-1:2017  
 The CE mark certifies that the product has been tested by us with the CE mark standard and found to  
 conform with the current EMC Directive 2014/53/EU. It is possible to use CE marking  
 to demonstrate the compliance with the EMC Directive.

**CE**

Shenzhen POCE Technology Co., Ltd.  
 11 Building, Zhongyuan Science and Technology Park,  
 Fuzhou Street, Shen'an District, Shenzhen, China