

## China Fingerprint Electric Handle Lock TTLOCK Smart Home Door Lock Biometric Password Lock For Wooden Door With Card Reader

We are a professional safe and lock manufacturer in China makes various serious of hotel lock,home office lock,commercial lock,hotel safe,home safe,gun safe,deposit safe,commerical safe etc. with functions of fingerprint,password, rfid card,App.to meet different demands from our customers.All of our safes and locks are sold to more than twenty countries and areas.

lock model:LY-K8

material:aluminum alloy

it is keyless access and with mechanical keys for emergency

the unlocking methods include fingerprint,digital password,rfid card,TuyaApp,emergency keys.

power supply:4XAA alkaline battery

Item Parameter

Panic Release Function,European style;

Sealed electronics;

Replace your old mechanical lock with our electronic lock.

Material:aluminum alloy

Mortise:American Standard mortise

Power supply:4pcs AA Alkaline batteries,12-18 months duration

The Door Thickness:35mm-52mm(customizable)

Application:Home,Hotel,Resort,Apartment,Dormitory,Guesthouse etc.

Start Time <1second

Unlock Method: Tuya App+Fingerprint+Password+Card+Mechanical Key

Finger use angle: 360°

Fingerprint registration module :Generate a fingerprint module at a time

Fingerprint capacity: 100 pieces

Fingerprint battery life: Open the door 10000 times

Sensor resolution: Bright background,500dpi

Operating Voltage: DC 6V

backup power: DC 9V

Low pressure alarm: 4.9 volts

Operating temperature: -10°C-55°C

Working humidity: 10%-90%

Storage temperature: -20°C-70°C

Open the door direction: Left open, right open

China made aluminum door fingerprint digital code mortise door lock

aluminum door biometric fingerprint keypad password MF mortise door locks supplier China.

keyless access fingerprint temic password door lock for aluminum door manufacturer China

RF card touching password fingerprint aluminum app mortise lock supplier China

wholesale biometric fingerprint bluetooth app password rfid door lock with keys backup factory China

aluminum keyless digital ttlock app bluetooth fingerprint door locks supplier

This is our new developed fingerprint door lock for aluminum door.

And it is with unlocking methods of fingerprint,password,rfid card,bluethood app and emergency

keys. This lock has a waterproof function.

FAQ:

Are you a factory or trade company?

We are a professional factory

Can we visit your facility?

Yes, you are welcome to visit us.

Can we put our logo on your products?

Yes, OEM and ODM is acceptable.

What is your MOQ?

1 piece.

What is your lead time?

It is around 2 days to 15 days normally.

Can we mix up different models to an order?

Yes, it is available.

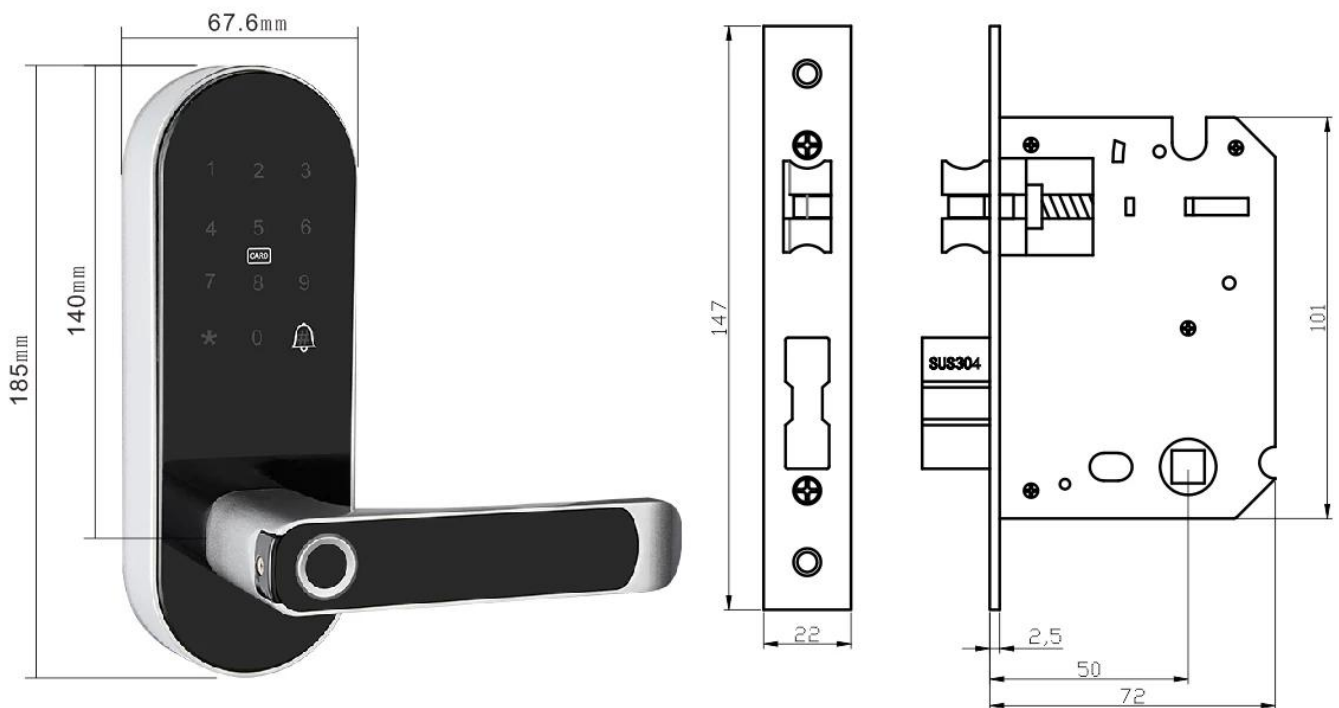






Figure 1: Lock cylinder  
https://www.123dkey.com



Figure 2: Lock body  
https://www.123dkey.com







We strictly control the quality of our products via ISO90001 quality management system. Our smart locks have get through 300,000 times of unlocking tests by durability test machine imported from Germany. We have get the fireproof and theftproof certification by National Ministry of Public Security and CE、FCC and ROHS as well.



## The direction of the door

When you standing outside of the door

A.(Left push)

B.(Right push)

C.(Left pull)

D.(Right pull)



A

Left Handle (push)



B

Right Handle (push)



C

Left Handle (pull)



D

Right Handle (pull)

**POCE** Shenzhen POCE Technology Co., Ltd.  
 23 Building, Shuangyuan Science and Technology Park,  
 Fuzhou Street, Shekou, Nanshan District, Shenzhen, China

**Certificate of Conformity**

Reference No.: POC2308070013  
 Applicant: STERIS STERILIZATION CO., LTD.  
 Address: 8-8th, 10 Floor, Building 07, Shuangyuan Science and Technology Park, Fuzhou Street, Shekou, Nanshan District, Shenzhen, China  
 Manufacturer: STERIS STERILIZATION CO., LTD.  
 Address: 8-8th, 10 Floor, Building 07, Shuangyuan Science and Technology Park, Fuzhou Street, Shekou, Nanshan District, Shenzhen, China  
 Product: ST-4 Single Pass Food  
 Trade Name: N/A  
 Model No.: STS-176, STS-176, STS-176, STS-176, STS-176  
 Test Report No.: POC2308070013-04  
 Test Methods: EN 12469:2007

The CE mark certifies that the product has been tested by us with the CE mark standard and found to comply with the standard EN 12469:2007. It is possible to use CE marking to demonstrate the compliance with the CE mark standard.

**CE**

Shenzhen POCE Technology Co., Ltd.  
 23 Building, Shuangyuan Science and Technology Park,  
 Fuzhou Street, Shekou, Nanshan District, Shenzhen, China

**POCE** Shenzhen POCE Technology Co., Ltd.  
 23 Building, Shuangyuan Science and Technology Park,  
 Fuzhou Street, Shekou, Nanshan District, Shenzhen, China

**Certificate of Conformity**

Reference No.: POC2308070013  
 Applicant: Shenzhen POCE Technology Co., Ltd.  
 Address: 23 Building, Shuangyuan Science and Technology Park, Fuzhou Street, Shekou, Nanshan District, Shenzhen, China  
 Manufacturer: Shenzhen POCE Technology Co., Ltd.  
 Address: 23 Building, Shuangyuan Science and Technology Park, Fuzhou Street, Shekou, Nanshan District, Shenzhen, China  
 Trade Name: N/A  
 Product: Vitamin Separator  
 Model No.: VSS-176, VSS-176, VSS-176, VSS-176, VSS-176  
 Test Report No.: POC2308070013-04  
 Test Methods: EN 12469:2007

The CE mark certifies that the product has been tested by us with the CE mark standard and found to comply with the standard EN 12469:2007. It is possible to use CE marking to demonstrate the compliance with the CE mark standard.

**CE**

Shenzhen POCE Technology Co., Ltd.  
 23 Building, Shuangyuan Science and Technology Park,  
 Fuzhou Street, Shekou, Nanshan District, Shenzhen, China

**POCE** Shenzhen POCE Technology Co., Ltd.  
 23 Building, Shuangyuan Science and Technology Park,  
 Fuzhou Street, Shekou, Nanshan District, Shenzhen, China

**Certificate of Conformity**

Reference No.: POC2308070013  
 Applicant: STERIS STERILIZATION CO., LTD.  
 Address: 8-8th, 10 Floor, Building 07, Shuangyuan Science and Technology Park, Fuzhou Street, Shekou, Nanshan District, Shenzhen, China  
 Manufacturer: STERIS STERILIZATION CO., LTD.  
 Address: 8-8th, 10 Floor, Building 07, Shuangyuan Science and Technology Park, Fuzhou Street, Shekou, Nanshan District, Shenzhen, China  
 Product: 176 Single Pass Food  
 Trade Name: N/A  
 Model No.: STS-176, STS-176, STS-176, STS-176, STS-176  
 Test Report No.: POC2308070013-04  
 Test Methods: EN 12469:2007

The CE mark certifies that the product has been tested by us with the CE mark standard and found to comply with the standard EN 12469:2007. It is possible to use CE marking to demonstrate the compliance with the CE mark standard.

**CE**

Shenzhen POCE Technology Co., Ltd.  
 23 Building, Shuangyuan Science and Technology Park,  
 Fuzhou Street, Shekou, Nanshan District, Shenzhen, China

**高标注册证**

第 230807 号

国家知识产权局公告 (第 230807 号)

申请人: STERIS STERILIZATION CO., LTD.  
 发明人: 刘俊臣

注册日期: 2023年08月07日

有效期至: 2033年08月07日

刘俊臣

国家知识产权局

**POCE** Shenzhen POCE Technology Co., Ltd.  
 23 Building, Shuangyuan Science and Technology Park,  
 Fuzhou Street, Shekou, Nanshan District, Shenzhen, China

**EC DECLARATION OF CONFORMITY**

Reference No.: POC2308070013  
 Applicant: SCIENCE DIGITAL TECHNOLOGY CO., LTD.  
 Address: 23 Building, Shuangyuan Science and Technology Park, Fuzhou Street, Shekou, Nanshan District, Shenzhen, China  
 Manufacturer: SCIENCE DIGITAL TECHNOLOGY CO., LTD.  
 Address: 23 Building, Shuangyuan Science and Technology Park, Fuzhou Street, Shekou, Nanshan District, Shenzhen, China  
 Trade Name: N/A  
 Product: N/A  
 Model No.: N/A  
 Test Report No.: POC2308070013-04  
 Test Methods: EN 12469:2007

The CE mark certifies that the product has been tested by us with the CE mark standard and found to comply with the standard EN 12469:2007. It is possible to use CE marking to demonstrate the compliance with the CE mark standard.

**CE**

Shenzhen POCE Technology Co., Ltd.  
 23 Building, Shuangyuan Science and Technology Park,  
 Fuzhou Street, Shekou, Nanshan District, Shenzhen, China

**POCE** Shenzhen POCE Technology Co., Ltd.  
 23 Building, Shuangyuan Science and Technology Park,  
 Fuzhou Street, Shekou, Nanshan District, Shenzhen, China

**Certificate of Conformity**

Reference No.: POC2308070013  
 Applicant: STERIS STERILIZATION CO., LTD.  
 Address: 8-8th, 10 Floor, Building 07, Shuangyuan Science and Technology Park, Fuzhou Street, Shekou, Nanshan District, Shenzhen, China  
 Manufacturer: STERIS STERILIZATION CO., LTD.  
 Address: 8-8th, 10 Floor, Building 07, Shuangyuan Science and Technology Park, Fuzhou Street, Shekou, Nanshan District, Shenzhen, China  
 Product: 176 Single Pass Food  
 Trade Name: N/A  
 Model No.: STS-176, STS-176, STS-176, STS-176, STS-176  
 Test Report No.: POC2308070013-04  
 Test Methods: EN 12469:2007

The CE mark certifies that the product has been tested by us with the CE mark standard and found to comply with the standard EN 12469:2007. It is possible to use CE marking to demonstrate the compliance with the CE mark standard.

**CE**

Shenzhen POCE Technology Co., Ltd.  
 23 Building, Shuangyuan Science and Technology Park,  
 Fuzhou Street, Shekou, Nanshan District, Shenzhen, China

**POCE** Shenzhen POCE Technology Co., Ltd.  
 23 Building, Shuangyuan Science and Technology Park,  
 Fuzhou Street, Shekou, Nanshan District, Shenzhen, China

**Certificate of Conformity**

Reference No.: POC2308070013  
 Applicant: STERIS STERILIZATION CO., LTD.  
 Address: 8-8th, 10 Floor, Building 07, Shuangyuan Science and Technology Park, Fuzhou Street, Shekou, Nanshan District, Shenzhen, China  
 Manufacturer: STERIS STERILIZATION CO., LTD.  
 Address: 8-8th, 10 Floor, Building 07, Shuangyuan Science and Technology Park, Fuzhou Street, Shekou, Nanshan District, Shenzhen, China  
 Product: 176 Single Pass Food  
 Trade Name: N/A  
 Model No.: STS-176, STS-176, STS-176, STS-176, STS-176  
 Test Report No.: POC2308070013-04  
 Test Methods: EN 12469:2007

The CE mark certifies that the product has been tested by us with the CE mark standard and found to comply with the standard EN 12469:2007. It is possible to use CE marking to demonstrate the compliance with the CE mark standard.

**CE**

Shenzhen POCE Technology Co., Ltd.  
 23 Building, Shuangyuan Science and Technology Park,  
 Fuzhou Street, Shekou, Nanshan District, Shenzhen, China

**CERTIFICATE OF CONFORMITY**

Reference No.: POC2308070013  
 Applicant: STERIS STERILIZATION CO., LTD.  
 Address: 8-8th, 10 Floor, Building 07, Shuangyuan Science and Technology Park, Fuzhou Street, Shekou, Nanshan District, Shenzhen, China  
 Manufacturer: STERIS STERILIZATION CO., LTD.  
 Address: 8-8th, 10 Floor, Building 07, Shuangyuan Science and Technology Park, Fuzhou Street, Shekou, Nanshan District, Shenzhen, China  
 Product: 176 Single Pass Food  
 Trade Name: N/A  
 Model No.: STS-176, STS-176, STS-176, STS-176, STS-176  
 Test Report No.: POC2308070013-04  
 Test Methods: EN 12469:2007

The CE mark certifies that the product has been tested by us with the CE mark standard and found to comply with the standard EN 12469:2007. It is possible to use CE marking to demonstrate the compliance with the CE mark standard.

**CE**

Shenzhen POCE Technology Co., Ltd.  
 23 Building, Shuangyuan Science and Technology Park,  
 Fuzhou Street, Shekou, Nanshan District, Shenzhen, China