

Proveedor biométrico de China de la caja fuerte de la pistola del teclado digital de la huella digital

Somos una fábrica profesional de cajas fuertes y cerraduras en China, ubicada en el este. Nuestra fábrica fue fundada en 2004 como un taller para piezas de cajas fuertes y cerraduras. Actualmente nos hemos convertido en una empresa que integra desarrollo, diseño, técnica, calidad, producción, ventas... diferentes departamentos. Nuestra gama de productos incluye cajas fuertes para hoteles, cajas fuertes para oficinas en el hogar, cajas fuertes para armas, cajas fuertes comerciales, gabinetes para llaves, archivadores y series ignífugas, además de cerraduras para hoteles, cerraduras para oficinas en el hogar, etc. Todos nuestros productos se venden a Mercados internacionales.

Técnico seguro:

material seguro: acero de alta calidad

Recubrimiento en polvo para tratamiento de superficies.

tamaño seguro: 94X338X275MM

Fuente de alimentación: 4 pilas AA.

método de desbloqueo: huella digital, contraseña, llaves de emergencia

indicador de batería baja

apto para depositar 2 o 3 pistolas

Aplicación: hogar, oficina, comercio.

Se puede montar fácilmente en la pared.

Venta al por mayor de huellas dactilares biométricas contraseña digital pistola cajas fuertes China

¿Por qué elegirnos?

(1).Tenemos un certificado de protección contra incendios ISO 1182 y también hemos realizado una prueba de incendio del producto en la fábrica, y la calidad del producto es muy buena, razón por la cual nuestros clientes nos eligen.

(2) Si necesita la caja de seguridad, podemos proporcionarle fotografías de seguridad para su uso. ¡Construimos su marca, no la nuestra!

(3).La caja fuerte ignífuga LOYAL protege sus documentos y objetos de valor más importantes durante hasta dos horas a 1700°F (927°C).

P: ¿Es usted una fábrica o simplemente una empresa comercial?

R: somos una fábrica profesional

P: ¿Se puede personalizar la caja fuerte?

R: Sí podemos

P: ¿Podemos pedir muestras y son gratuitas?

R: Sí, puede y debe pagar el costo de la muestra. El costo de la muestra se le puede devolver cuando realiza el pedido formal.

P: ¿Podemos poner nuestro logo en las cajas fuertes?

R: Sí, puedes.

P: ¿Podemos elegir otros colores?

R: Sí, puede y háganos saber su muestra de color o número de color.

P: ¿Cuál es la cantidad mínima de pedido?

R: 20 piezas por modelo. En algunos modelos, el pedido mínimo es de 1 pieza.

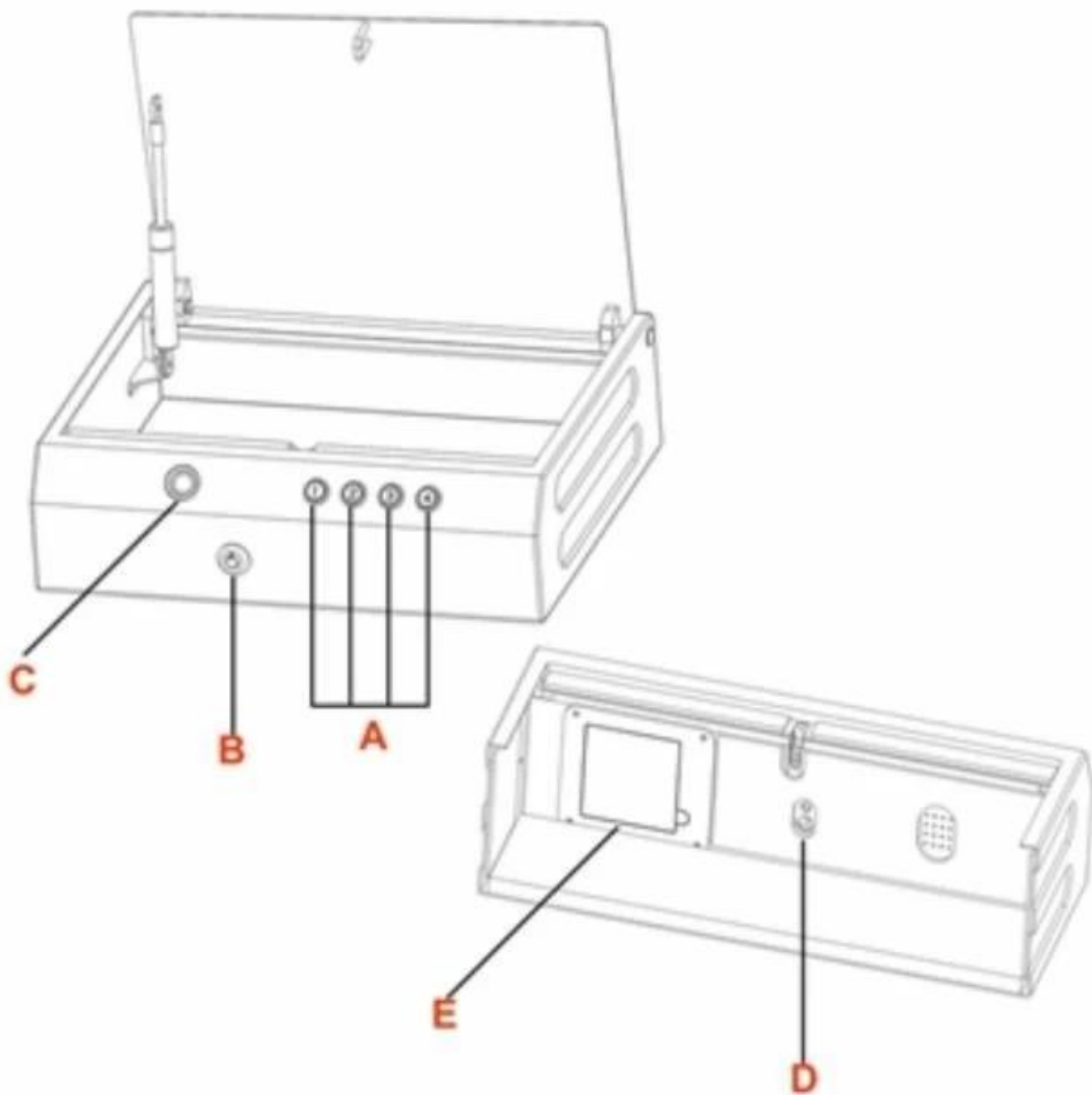
P: ¿Se puede personalizar la caja fuerte?

R: Sí, podemos hacerlo.

P: ¿Podemos mezclar diferentes modelos para un contenedor completo?

R: Sí

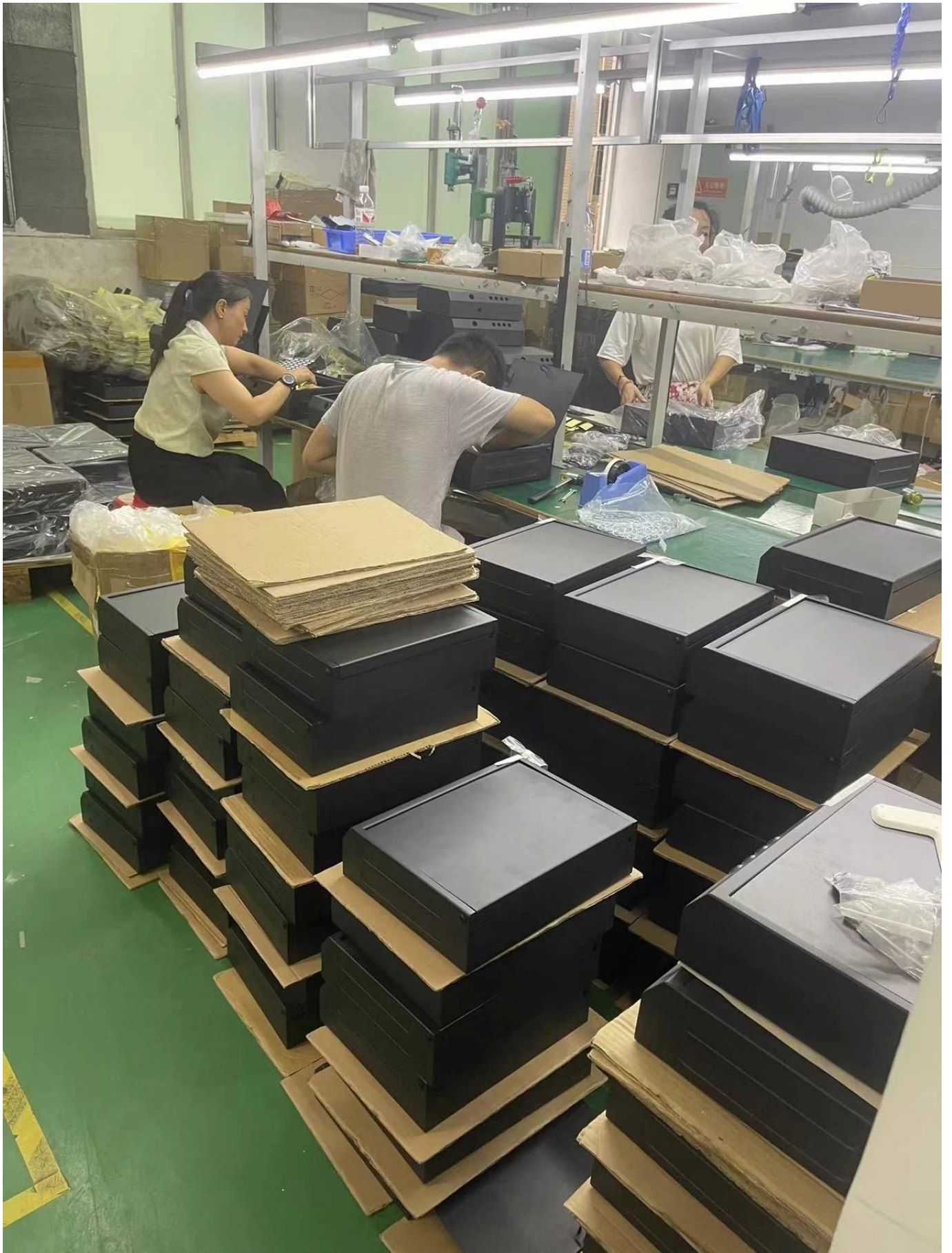
OVERVIEW



CAPACITY OF EACH MODEL



shop194k52297x681.1688.com







How to Setting Password (6 digit PIN code):

(Without Voice Reminder)



1. Use the enclosed Key to Open the safe box

(Note: Keep the key outside the safe box)



2. Load the 4 AA batteries(not included) into the safe box ,long press the setting button you will hear pls set up six digital password then long press the 3 button will hear the voice reminder: turn off the voice .



3. Then enter 6 digit password,after 3 seconds then repeat input 6 digit password ,if the both input digit password it's same.we can see the green light it's showed .



4.If not same then it will show the red light shining ,this it's means the setting it's unsuccessful ,all the process needs to come back to step 3 to reset again .

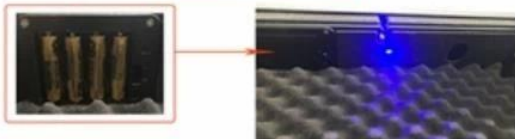
Please note :
If you need to setup a new password , please long press <<setting button>> for 5 seconds , then repeat above same steps to setting .

How to Setting Password (6 digit PIN code):

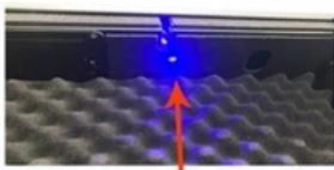


1. Use the enclosed Key to Open the safe box

(Note: Keep the key outside the safe box)



2. Load the 4 AA 1.5V batteries (Not included) into the safe box , we can hear the 1st voice prompt: please Long press <<Setting Button>>, please set up Six digit password



3. Long press the <<Setting Button >> for 5 seconds please we can hear the 2nd voice prompt " please setup Six digit password "



4. Enter a 6 digit password, then we can hear the 3rd voice prompt "please repeat input six digit password



5. Re-enter a same 6 digit password

6-1) if the both input digit password is same, we can hear "Successful setting"

6-2) if the both input passwords is NOT same later, we can hear "Unsuccessful setting"

(if now we hear Unsuccessful setting, All process need to come back to step 3)

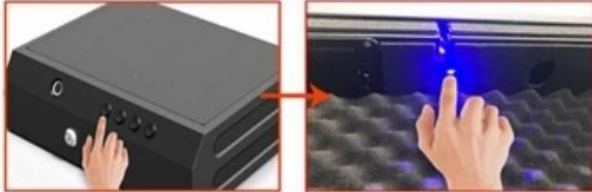
Please note :
If you need to setup a new password , please long press <<setting button>> for 5 seconds , then repeat above same steps to setting .

How to Setting Fingerprint:

1) Six digit code MUST be setup FIRSTLY and ensure it's successful setting



2) Place fingertip on biometric reader we can hear a voice prompt: please setup fingerprint ,please short press digit "1" button, then long press Setting button



3) Short press digit "1" button, then follow by long press Setting button until hear a voice prompt " please setup fingerprint" to release button



4) Place fingertip on reader (First Time), until hear a voice prompt "please input fingerprint again" to release



5) Again place the fingertip on reader , this same process must be repeat for 5 times normally until hear successful setting

6) We should hear a voice prompt "successful setting"

7) Close the lid and test fingerprint

Please Note :

1.After first fingerprint, you will not get the initial voice prompt to setup fingerprint immediately after you put your finger on the reader. Because you already have a fingerprint in the system. So you have to short press digit "1" and then long press the setting button to engage the fingerprint setup moving forward.

2.If you need to remove the fingerprint, please long press <<setting button>> for 5 seconds, then priority setting password (6 digit PIN code), later follow by setting fingerprint according to the steps of setting fingerprint.

3.If you need to add more one group of fingerprint (at most add 20 groups of fingerprint): please short press <<digit 1 button>>, then long press <<setting button>> until hear the sound reminder : please setup fingerprint , to release button, then go into next few steps according to above step 4 until successful setting fingerprint

How to Setting Fingerprint: (Without Voice Reminder)

1. Six digit code **MUST** be setup **FIRSTLY** and ensure it's successful setting



2. Place fingertip on biometric reader we can hear a voice prompt: please setup fingerprint ,please short press digit "1" button, then long press Setting button

- Take fingerprints
- Successful identification
- Unsuccessful identification



3. you will see the biometric reader show the blue light ,then place the fingertip on reader for 5 time use the same finger when you place the figertip on reader it will show blue light first and then show green light it means it's recognize ,if show red light means unrecognized.

4. Close the lid and test fingerprint

Q&A:

2. Can the safe box be opened by Random 6 digit passwords or fingerprint before setting?

- Yes, Enter Random 6 digit passwords or fingerprint can open it.

3. Why the safe box can NOT be opened by the fingerprint & 6 digit passwords after setting?

1) It's possible your setting is NOT successful & must be setting again

2) If you make sure your setting is completely correct, pls try to open the safe box by the KEY

(If it's still failure to open by the key, It's most likely for the safe box comes with something wrong, pls reach us by e-mail in time)

4. Why the safe box can NOT be opened by the fingerprint or 6 digit passwords after you donot use it for a long time later

-1) It should be without an power for battery ,you need to open by the key and replace the battery in time

-2) If the safe box still can not be opened by the key, It's most likely for it comes with something wrong,pls reach us by e-mail in time

5.How to mount the safe box ?

Take out the screws and Anchors , install and place the safe box in to in which you want to mount.

6.How to turn on/ turn off the alarm sound ?

Please long press the Digit 4 button for 5 seconds, it can be switched between turn on and turn off the alarm sound (Note: Default for the alarm sound is opened) . Also once the alarm is sound , we have to wait for 4 minutes later, it will automatically disappear .