

## Product description

We are a professional safe and lock manufacturer in China which was opened in 2004. Our products range is home office safe, hotel safe, car safe, gun safe, pistol handgun safe, key cabinet, safe deposit box, hotel rfid card lock, password door lock, fingerprint door lock, cabinet lock etc. Our main markets are North America, Brazil, India, Colombia, Germany, Czech, Vietnam, Italy, France etc. more than twenty countries. More than 85% of our products are sold to overseas markets. We already passed ISO9001 certification and got the CE and ROHS certificates for our products. Thanks for our strict quality control and best service we have become one of the most trustable supplier in China.

### [biometric fingerprint digital code handgun safe box supplier China](#)

#### **Product technical and features:**

model:580SE

material:cool-rolling steel

product size:410\*250\*130mm

unlocking method:fingerprint or electronic password/emergency key

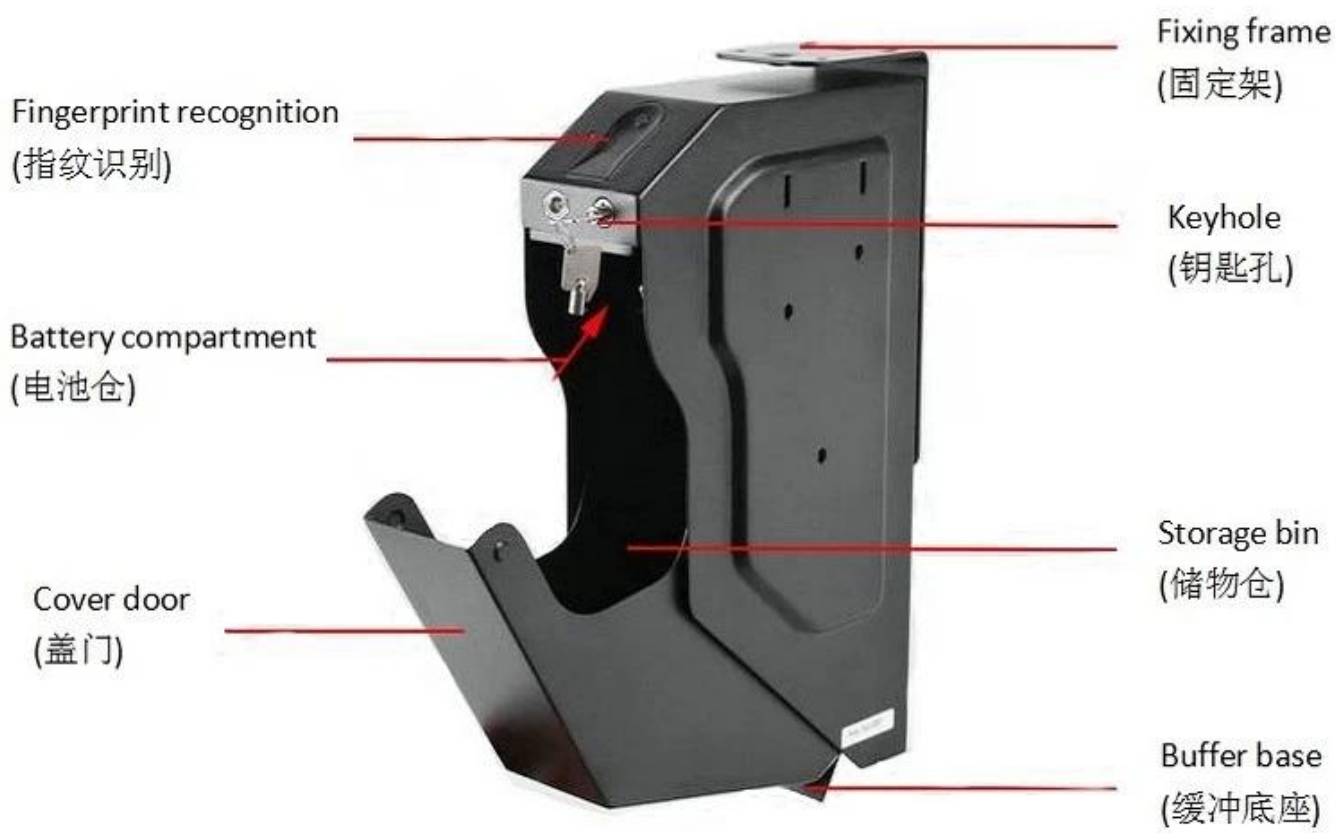
power supply:4XAA alkaline batteries

with backup power to open

with lower voltage alarm function

can deposit handgun and a ammunition clip

advantages: easily to install it and just use screws attached to install anywhere you want, in cabinet, under table, near bed etc. Secondly, children cannot reach the handgun; Thirdly, user can take out the handgun quickly.



Fingerprint recognition  
(指纹识别)

Battery compartment  
(电池仓)

Cover door  
(盖门)

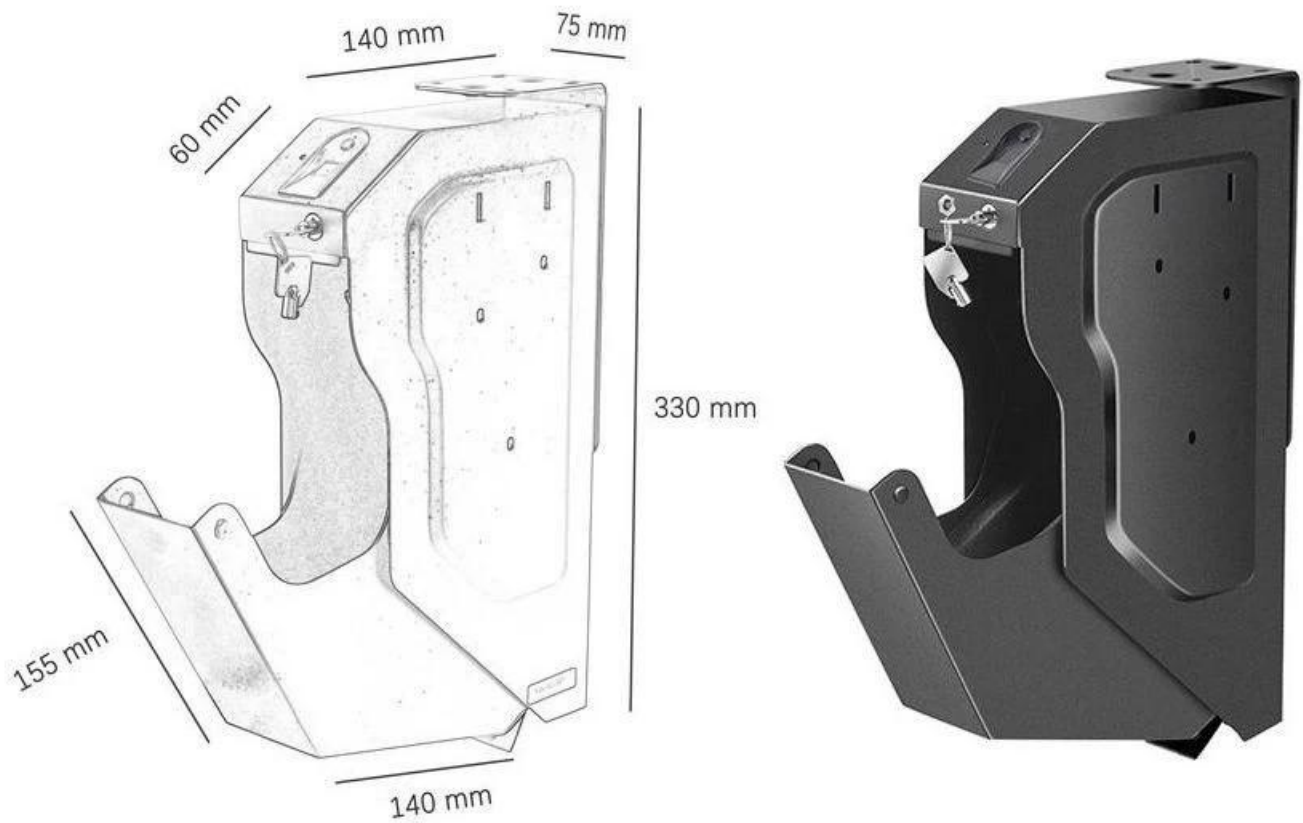
Fixing frame  
(固定架)

Keyhole  
(钥匙孔)

Storage bin  
(储物仓)

Buffer base  
(缓冲底座)





[Keyless access gun storage cabinets for nine rifles with keys backup factory China](#)

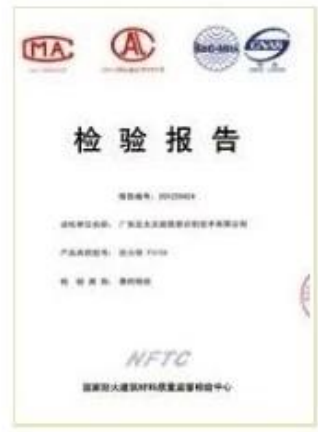
## Our Team

More than 13 years Digital lock since 2003, Over 10% of the Chinese market is taken by our factory,

We are famous factory in China and specializing in various of hotel locks, digital code locks, fingerprint biometric lock, home safes, hotel safe, gun safes, commercial safe, deposit safes, floor safe etc. for buyers in the world. You are welcome to visit our facility at any time.



Certifications



FAQ:

1. Master key available?

It can program master key to unlock all locks For bulk order, we will send some free master key to you!

2. Is custom logo on available?

We can print your logo And number on Wristband free! Print logo on logo need some payment!

3. How about the lead-time?

Samples in Stock, bulk order. 3-5 working days depends on the quantity!

4. What kind of key frequency to be used for the lock?

It is 125KHZ RFID key by default, 13.56mhz for optional! When you order please let me know!

5. How about the warranty?

1 year warranty, supply technical supports all life time.

Our wholesales market covers both domestic and overseas. One of our electronic lock brands covers over 30% of china massage locker lock market and our export share takes up over 85% of our annual avenue. And our marketing network spreads worldwide such as Mid-East, Southeast Asia, Russia, America and some of European countr

We will keep heavy investment in our research, development and innovation team to maintain our leading position in

intelligent lock industry.You are warmly welcome to visit our facility at any time.